

Mating plug STK4WP82

Type M12-D



Mechanical data

■ Connector Design:	plug with pins
■ Coding:	D-coded
■ Connector locking system:	screw
■ Termination:	screw
■ Wire gauge (mm):	0.75 mm ²
■ Wire gauge (AWG):	18
■ Cable outlet:	5 - 8 mm
■ Temperature range:	- 40 °C to 85 °C

Electrical Data

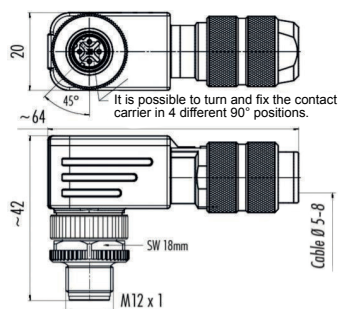
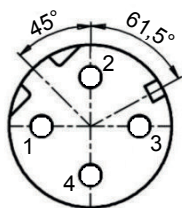
■ Related voltage:	250 V
■ Rated impulse voltage:	2500 V
■ Rated current (40°C):	4 A
■ Pollution degree:	3
■ Resistance:	≤ 3 mΩ
■ EMV-compliance:	shielded
■ Protection class:	IP67
■ Mechanical operation:	> 100 cycles

Material

■ Material of contacts:	CuZn (Brass)
■ Contact plating:	Au (Gold)
■ Material of contact body:	PA
■ Housing material:	Die-cast zinc, nickel-plated

Electrical connection

(view to screw contacts)

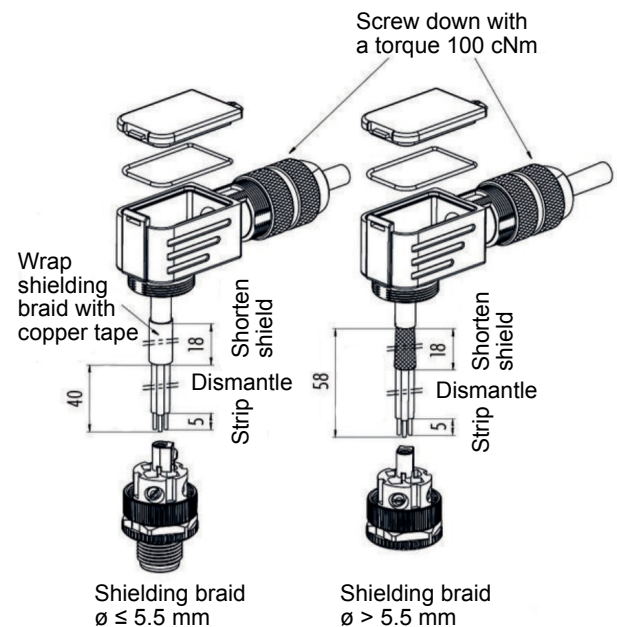
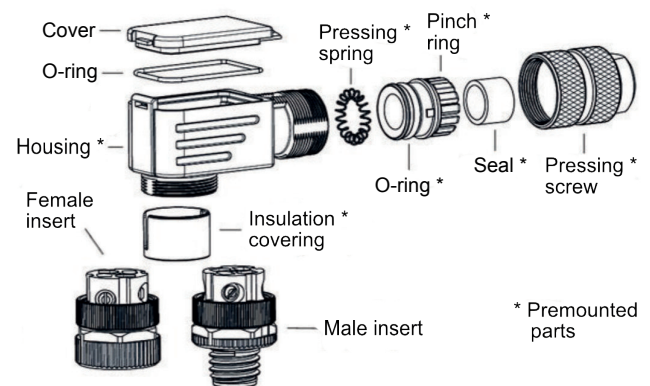


Order code format

- Mating plug (4 pins): **STK4WP82**

- Mating plug with 4 pins
- With strain relief and shielding
- For cable with 5 - 8 mm diameter
- Gold-plated contacts
- UL certified

Installation instruction



1. Bead housing to cable.
2. Cut off cable sheath, strip individual cores, shorten shielding braid, (If shield diameter ≤ 5.5 mm: Revert shielding braid to cable jacket and wrap it with copper tape).
3. Connect single wires.
4. Screw housing to male or female contact carrier.
5. Pull back the cable through the outlet until only 2 mm of the shielding braid are visible.
6. Mount lid with seal and fix pressing screw.