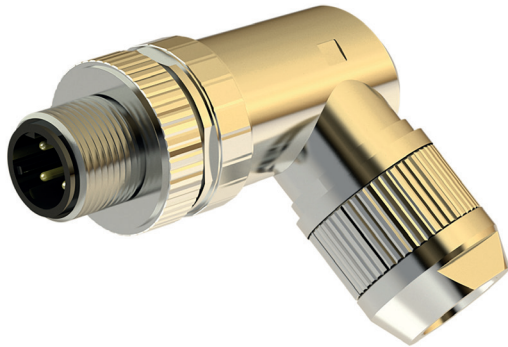


Mating plug STK4WP116

Type M12



- Mating plug with 4 pins, D-coded
- With strain relief
- For cable with 4-8 mm diameter
- Nickel-/Gold-plated contacts

Mechanical data

- Connector Design: 4-pins, D-coded, CAT5, The connector pin assignment can be rotated 45° to the cable outlet
- Connection method: Insulation displacement connection
- Wire diameter (mm): ≤ 1.6 mm
- Wire gauge (AWG): 23 ... 22
- Cable outlet: 4 - 8 mm
- Temperature range: -40 °C to +85 °C

Electrical Data

- Rated voltage: 48 V AC
- Rated current (40°C): 1.75 A
- Insulation resistance: ≥ 100 MΩ
- EMV-compliance: shielded
- Protection class: IP67
- Mechanical operation: > 100 cycles
- Overvoltage: Category II
- Degree of pollution: 3

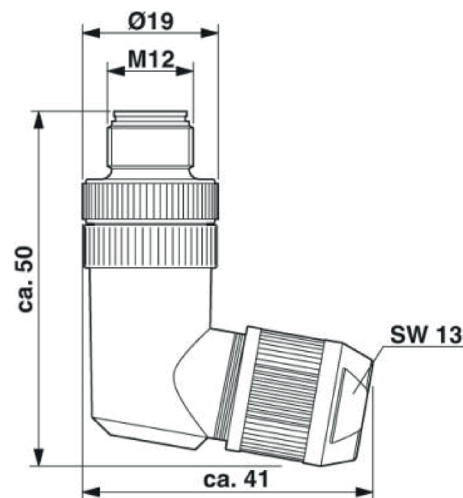
Material

- Material of contacts: CuSn (Bronze)
- Contact plating: Ni/Au (Nickel/Gold)
- Material of contact body: PA6
- Housing material: Zinc die-cast, nickel-plated

Order code format

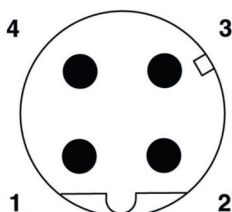
- Mating plug (4 pins): **STK4WP116**

Dimensions in mm



Electrical connection

(view on pin side)



Installation instruction

