

# Mating plug STK3WS17

## Type M16

Document No.: STK 14614 AE

Date: 11.01.2018



- Mating plug with 3 sockets
- With strain relief
- For cable with 6-8 mm diameter
- Gold-plated contacts

### Mechanical data

- Connector Design: cable socket
- Connector locking system: screw
- Termination: solder
- Wire gauge (mm): 0.75 mm<sup>2</sup>
- Wire gauge (AWG): 20
- Cable outlet: 6 - 8 mm
- Temperature range: - 40 °C to 95 °C

### Electrical Data

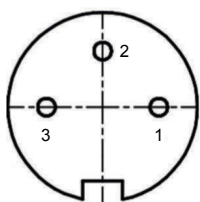
- Related voltage: 250 V
- Rated impulse voltage: 1500 V
- Rated current (40°C): 7 A
- Resistance: ≤ 3 mΩ
- EMV-compliance: not shielded
- Protection class: IP67
- Mechanical operation: > 500 cycles

### Material

- Material of contacts: CuSn (Bronze)
- Contact plating: Au (Gold)
- Material of contact body: PBT (UL 94 V-0)
- Housing material: Plastic

### Electrical connection

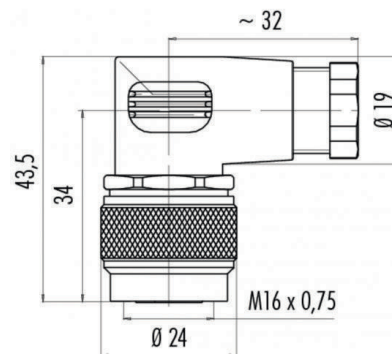
(view to soldering contacts)



### Order code format

- Mating plug (3 sockets): **STK3WS17**

### Dimensions in mm



### Installation instruction

